

46X

Strainer without valves

Accessories

Technical Data Sheet



Description

- Perforated surface of the strainer equal to 3 times the nominal passage
- Perforation of the strainer :
 - DN 40 to 300 ; \varnothing 6 on 8,5 mm centres
 - DN 350 to 1000 ; \varnothing 10 on 13 mm centres



46X

Strainer without valves - Accessorie

DN	PN	Ref.	Weight Kg
" mm			
1 1/2 40	10/16	149B5846A	0,63
2 50	10/16	149B5847A	0,73
2 1/2 65	10/16	149B5848A	0,91
3 80	10/16	149B5849A	1,01
4 100	10/16	149B5850A	1,23
5 125	10/16	149B5851A	1,91
6 150	10/16	149B5852A	2,46
7 175	10/16	149B5853A	2,46
8 200	10	149B5854A	4,35
10 250	10	149B5855A	9,34
12 300	10	149B5856A	11,62
14 350	10	149B5857A	14,03
16 400	10	149B5858A	17,25
18 450	10	149B5859A	20,60
20 500	10	149B5860A	25,16
24 600	10	149B5861A	48,15
28 700	10	149B5862A	70,32
32 800	10	149B5863A	89,63
36 900	10	149B5864A	110,42
42 1000	10	149B5865A	135,05

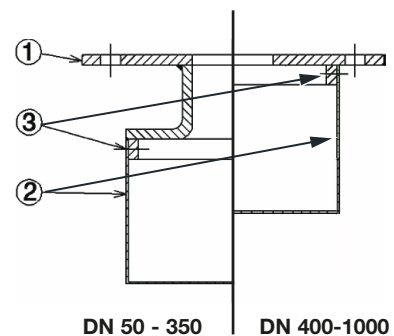
Technical features

Operating temperature	-10 °C to 350 °C
Connection	Plate flange drilled PN (see table)
Mediums	Sea water, corrosive fluides

Nomenclature and materials

N°	Description	Materials	EURO	ANSI
1	Flange	Stainless steel	X2CrNi19-11	AISI 304L
2	Strainer	Stainless steel	X2CrNi19-11	AISI 304L
3	Screw	Stainless steel	X2CrNi19-11	AISI 304L

Optional : all in 316L, consult us



Approvals



International construction Standards :
 Flange drilling according to EN 1092-2

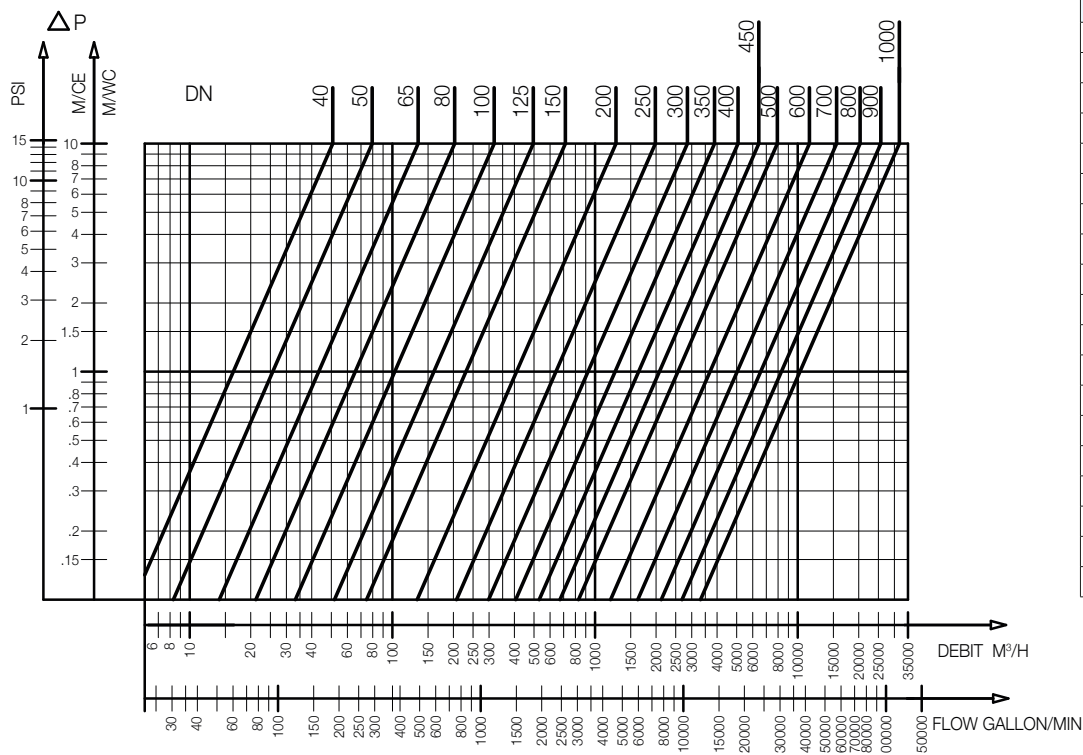
Application

Pumping of corrosive fluids, sea water, industrial processes.

Operation

Direction for use :

- Solid line: Valve completely open

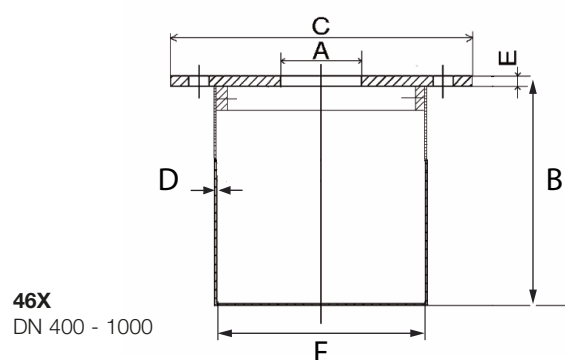
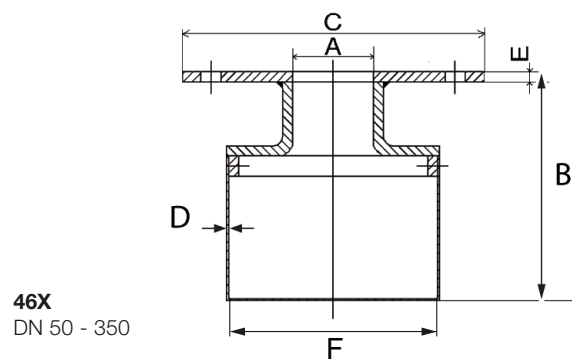


DN	Kv	ζ
"	m³/H	
40	50,8	1,59
50	79,5	1,59
65	134,2	1,59
80	203,2	1,59
100	318	1,59
125	496	1,59
150	714,3	1,59
200	1269,8	1,59
250	1984	1,59
300	2856	1,59
350	3888,8	1,59
400	5078,7	1,59
450	6428,3	1,59
500	7936,2	1,59
600	11428,1	1,59
700	15555	1,59
800	20316,7	1,59
900	25714,3	1,59
1000	31745	1,59

46X - Headloss chart

Sizing

	A	B	C	D	E	F
"	mm	mm	mm	mm	mm	mm
1 1/2	40	95	150	1	5	72
2	50	87	165	1	5	87
2 1/2	65	106	185	1	5	107
3	80	126	200	1	5	122
4	100	154	220	1	5	142
5	125	194	250	1,5	5	172
6	150	217	285	1,5	5	195
7	175	235	315	1,5	8	240
8	200	254	340	1,5	8	250
10	250	352	395	2	8	305
12	300	382	445	2	8	355
14	350	402	505	2	8	425
16	400	430	565	2	8	463
18	450	480	615	2	8	513
20	500	548	670	2	8	568
24	600	654	780	3	8	667
28	700	822	895	3	10	782
32	800	918	1015	3	10	892
36	900	1044	1115	3	10	992
42	1000	1158	1230	3	10	1092



The descriptions and photographs contained in this product specification sheet are supplied by way of information only and are not binding.

Socla reserves the right to carry out any technical and design improvements to its products without prior notice. Warranty : All sales and contracts for sale are expressly conditioned on the buyer's assent to Socla terms and conditions found on its website at www.socla.com. Socla hereby objects to any term, different from or additional to Socla terms, contained in any buyer communication in any form, unless agreed to in a writing signed by an officer of Socla.



A WATTS Brand

Socla sas

365 rue du Lieutenant Putier • 71530 Virey-Le-Grand • France
Tel. +33 03 85 97 42 00 • Fax +33 03 85 97 42 42
contact@wattswater.com • www.socla.com
ISO 9001 version 2015 / ISO 18001