

# EB 231

EB antipollution non-return valves

System 01

## Technical Data Sheet



## Description

The non-return valve EB 231 is certified to the NF antipollution norms. This non-return valve is designed for the protection of drinking water network against polluted backflow which has no recognized toxic or microbiological risks to human health. It is particularly suitable for mounting after watermeter.

- Operates in any position
- Minimum head loss
- Silent and robust
- Does not generate hammering
- Closing system : double axial guiding with return spring
- Excellent sealing at high as well as at low pressure ensured by a specially designed lip ring-seal



## EB 231

EB antipollution non-return valves - System 01

DN	PFA in bar	PS in bar				Cat.	Ref.	Weight Kg
		L1	L2	G1	G2			
3/8	10	10	10	10	10	4.3	<b>149B2069</b>	0,06
1/2	10	10	10	10	10	4.3	<b>149B2070</b>	0,1
3/4	10	10	10	10	10	4.3	<b>149B2091</b>	0,2
1	10	10	10	10	10	4.3	<b>149B2092</b>	0,17
1 1/4	10	10	10	x	10	4.3	<b>149B2093</b>	0,24
1 1/2	10	10	10	x	10	4.3	<b>149B2094</b>	0,37
2	10	10	10	x	10	4.3	<b>149B2095</b>	0,63

### Important notice :

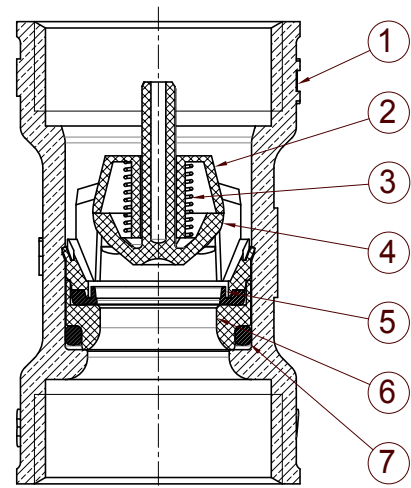
The indicated pressure for the different categories of fluids (L1/L2/G1/G2) is under no condition a guarantee of use. Therefore, it is essential to validate the use of products under given operating conditions.

### Technical features

Operating temperature	Mini. : -10 °C / Maxi. : 65 °C / Short time (1h/day) : 90 °C
Permissible operating pressure (PFA) in water	See table above
Maximum permissible pressure (PS) other mediums	See table above
Connection	Female/female, BSP thread
Mediums	Clear liquids, gas

### Nomenclature and materials

N°	Description	Materials	EURO
1	Body	Brass	EN12165 CuZn35Pb1.5AlAs-H060
2	Guide	Hostaform natural	C 13031
3	Spring	Stainless steel	EN10270-3 X10CrNi18-8
4	Closing system	Hostaform natural	C 13031
5	Seal	NBR 70 Sh.A	
6	Seat	Hostaform natural	C 13031
7	O-ring	NBR 70 Sh.A	



## Approvals



**International construction Standards :**  
 NF Antipollution according to NF EN 13959 - EN1717  
 Thread connection according to NF EN ISO 228-1

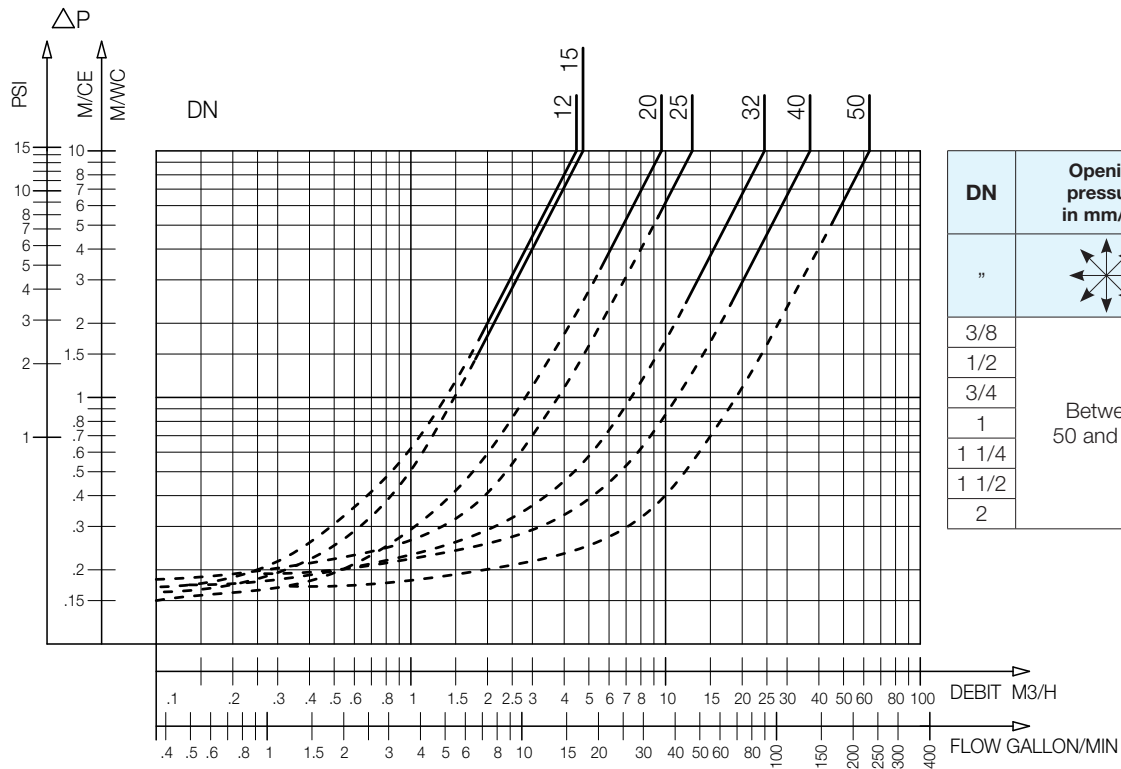
## Application

Housing, water distribution, heating.

## Operation

**Direction for use :**

- Solid line: Valve completely open
- Dotted line: opening stage of valve

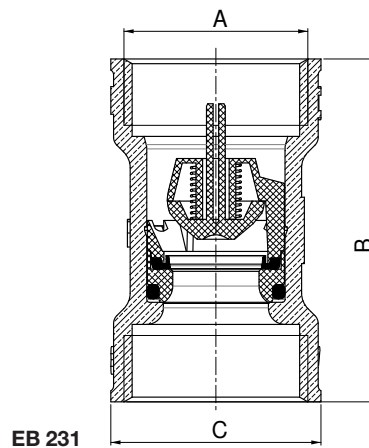


DN	Opening pressure in mm/CE	Kv	ζ
"		m³/H	
3/8	Between 50 and 200	4	1
1/2		4,75	3,6
3/4		9,65	2,75
1		12,7	3,85
1 1/4		24,5	2,8
1 1/2		36,9	3
2		63,2	2,5

EB 231 - Headloss chart

## Sizing

Connection A		B	C
"	mm	mm	mm
3/8	12/17	39	22
1/2	15/21	41	26
3/4	20/27	50	32
1	26/34	62	38
1 1/4	33/42	74	48
1 1/2	40/49	90	55
2	50/60	108	68



The descriptions and photographs contained in this product specification sheet are supplied by way of information only and are not binding.

Socla reserves the right to carry out any technical and design improvements to its products without prior notice. Warranty : All sales and contracts for sale are expressly conditioned on the buyer's assent to Socla terms and conditions found on its website at [www.socla.com](http://www.socla.com). Socla hereby objects to any term, different from or additional to Socla terms, contained in any buyer communication in any form, unless agreed to in a writing signed by an officer of Socla.



**A WATTS Brand**

**Socla sas**

365 rue du Lieutenant Putier • 71530 Virey-Le-Grand • France

Tel. +33 03 85 97 42 00 • Fax +33 03 85 97 42 42

[contact@wattswater.com](mailto:contact@wattswater.com) • [www.socla.com](http://www.socla.com)

ISO 9001 version 2015 / ISO 18001