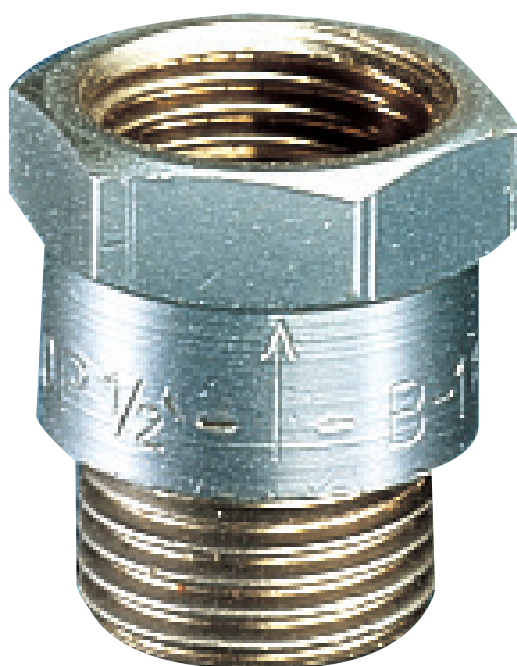


EB 281C

EB antipollution non-return valves

System 01

Technical Data Sheet



Description

The non-return valve EB 281C is certified to the NF antipollution norms. This non-return valve is designed for the protection of drinking water network against polluted backflow which has no recognized toxic or microbiological risks to human health. It is particularly suitable for mounting after watermeter.

- Operates in any position
- Minimum head loss
- Silent and robust
- Does not generate hammering
- Closing system : double axial guiding with return spring
- Excellent sealing at high as well as at low pressure ensured by a specially designed lip ring-seal



EB 281C

EB antipollution non-return valves - System 01

DN		PFA in bar	PS in bar				Cat.	Ref.	Weight Kg
M "	F "		L1	L2	G1	G2			
1/2	1/2	10	10	10	10	10	4.3	149B2065	0,605
3/4	3/4	10	10	10	10	10	4.3	149B2514	0,100

Important notice :

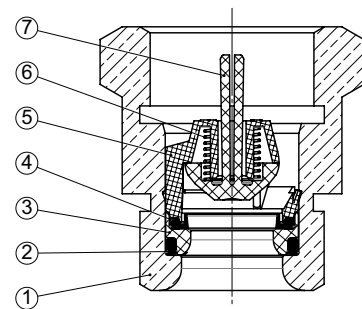
The indicated pressure for the different categories of fluids (L1/L2/G1/G2) is under no condition a guarantee of use. Therefore, it is essential to validate the use of products under given operating conditions.

Technical features

Operating temperature	-10°C at 65°C
Permissible operating pressure (PFA) in water	See table above
Maximum permissible pressure (PS) other mediums	See table above
Connection	Male/Female, BSP thread
Mediums	Clear non corrosive liquids, gas

Nomenclature and materials

N°	Description	Materials	EURO
1	Body	Chromed brass	EN 12165-CuZn40Pb2-H080 4MS
2	O-ring	EPDM	NBR 70 Sh A
3	Seat	Hostaform natural	C 13031
4	Seal	DN 1/2"	EPDM
		DN 3/4"	NBR
5	Guide	Hostaform natural	C 13031
6	Spring	Stainless steel	EN10270-3-X10CrNi18-8
7	Closing system	Hostaform natural	C 13031



Approvals



International construction Standards :

NF Antipollution according to NF EN 13959 - EN1717
Thread connection according to NF EN ISO 228-1 or ISO 7.1

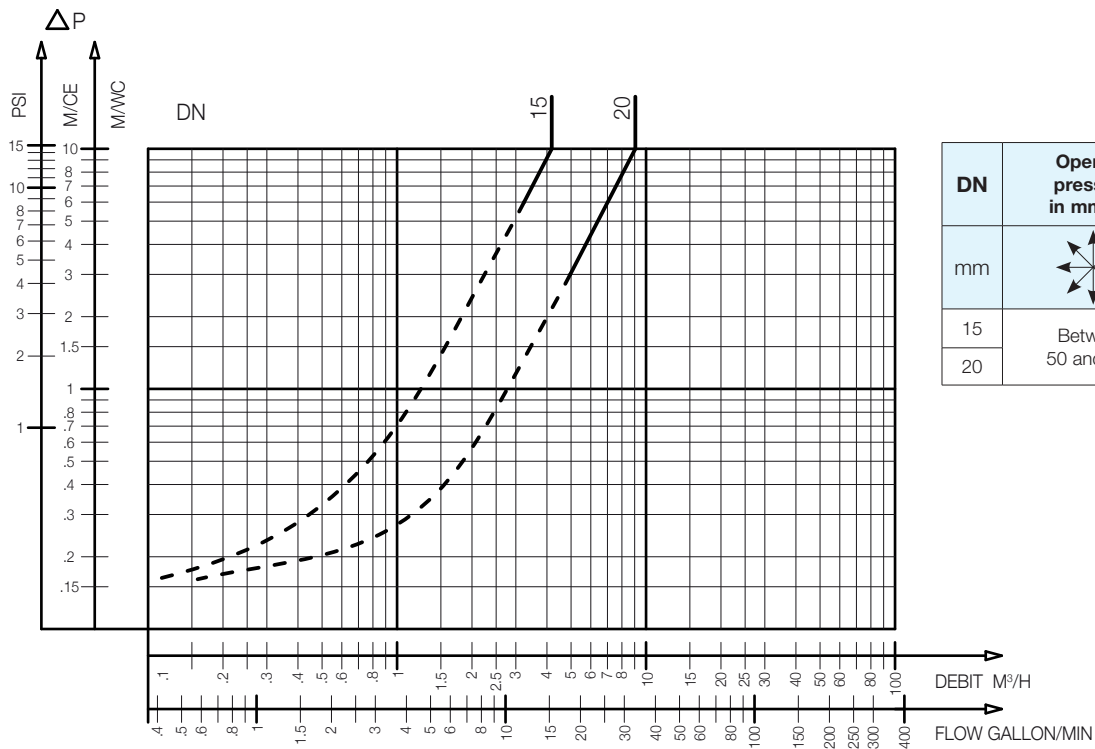
Application

Housing, water distribution, protection of drinking water networks.

Operation

Direction for use :

- Solid line: Valve completely open
- Dotted line: opening stage of valve



DN	Opening pressure in mm/CE	Kv	ζ
mm		m³/H	
15	Between 50 and 200	4,18	4,63
20		9,1	3,11

EB 281C - Headloss chart

