

# EC 453/453

Double chek vavles

System 03

## Technical Data Sheet



## Description

Double check valves consisting of two EA 453 mounted bolted with a O-ring.

- Operates in any position
- Perfect water tightness at high and low pressure (NF)
- Inspection cover to check and replace internal parts without dismantling the device (NF)
- Interchangeable closing kit without tool
- Two drilled bosses with test cock (1/2")
- 2 bosses with drain plug (1/2") except DN 40/50 (1/4")



### EC 453/453

Double chek vavles - System 03



DN		PFA in bar	PS in bar				Cat.	Ref.	Weight Kg
"	mm		L1	L2	G1	G2			
1 1/2 - 2	40/50	16	16	16	16	I	<b>149B24796</b>	17	
2 1/2	60/65	16	16	16	15	I	<b>149B24797</b>	25	
3	80	16	16	16	12	I	<b>149B24798</b>	31	
4	100	16	16	16	10	I	<b>149B24799</b>	43	
6	150	16	16	16	0,5	I	<b>149B24800</b>	86	
8	200	10	10	10	0,5	I	<b>149B24801</b>	132	
10	250	10	10	10	0,5	I	<b>149B24802</b>	190	

#### Important notice :

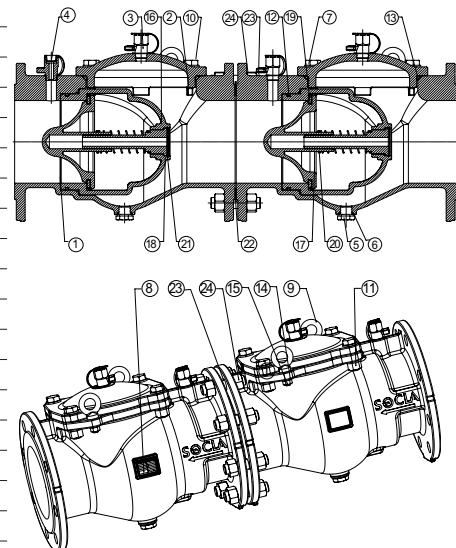
The indicated pressure for the different categories of fluids (L1/L2/G1/G2) is under no condition a guarantee of use. Therefore, it is essential to validate the use of products under given operating conditions.

#### Technical features

Operating temperature	-10 °C to 100 °C
Permissible operating pressure (PFA) in water	See table above
Maximum permissible pressure (PS) other mediums	See table above
Connection	Flanges drilled PN (see table above)
Mediums	Clear liquids, gas

#### Nomenclature et matériaux

N°	Description	Materials	EURO	ANSI
1	Body	Ductile iron / Epoxy	EN-GJS-400.15	ASTM A 536 65-45-12
2	Cap	Ductile iron / Epoxy	EN-GJS-400.15	ASTM A 536 65-45-12
3	Valve	DZR Brass	CuZn36Pb2As	
4	Cover	PE		
5	Plug	Brass	CuZn39Pb3	
6	O-ring	EPDM		
7	Washer	Stainless steel	X5CrNi18-10	AISI 304
8	Label	Polyester		
9	Valve holding		S235JR	
10	Screw	Stainless steel	X5CrNi18-10	AISI 304
11	Nut	Stainless steel	X2CrNiMo17-12-2	AISI 316 L
12	O-ring	EPDM		
13	O-ring	EPDM		
14	Washer			
15	Nut	Stainless steel	X5CrNi18-10	AISI 304
16	Seat	Stainless steel	GX5CrNi19-10	AISI 304
17	Closing system	DZR Brass	CuZn36Pb2As	
18	Stem	DZR Brass	CuZn36Pb2As	
19	Steal	EPDM		
20	Spring	Stainless steel	X5CrNiMo17-12-2	AISI 306
21	Circlips	Stainless steel	X10CrNi18-8	AISI 302
22	Steal	EPDM		
23	Stem		X30Cr13	
24	Nut	Stainless steel	X5CrNi18-10	AISI 304



## Approvals



### International construction Standards :

Flanges connection according to EN 1092-1 et EN 1092-2  
 Overall dimensions according to EN558-1 serie 48 EN 1717  
 CE Conformity Directive 2014/68/UE  
 NF antipollution standard NF EN 13959 - EN1717

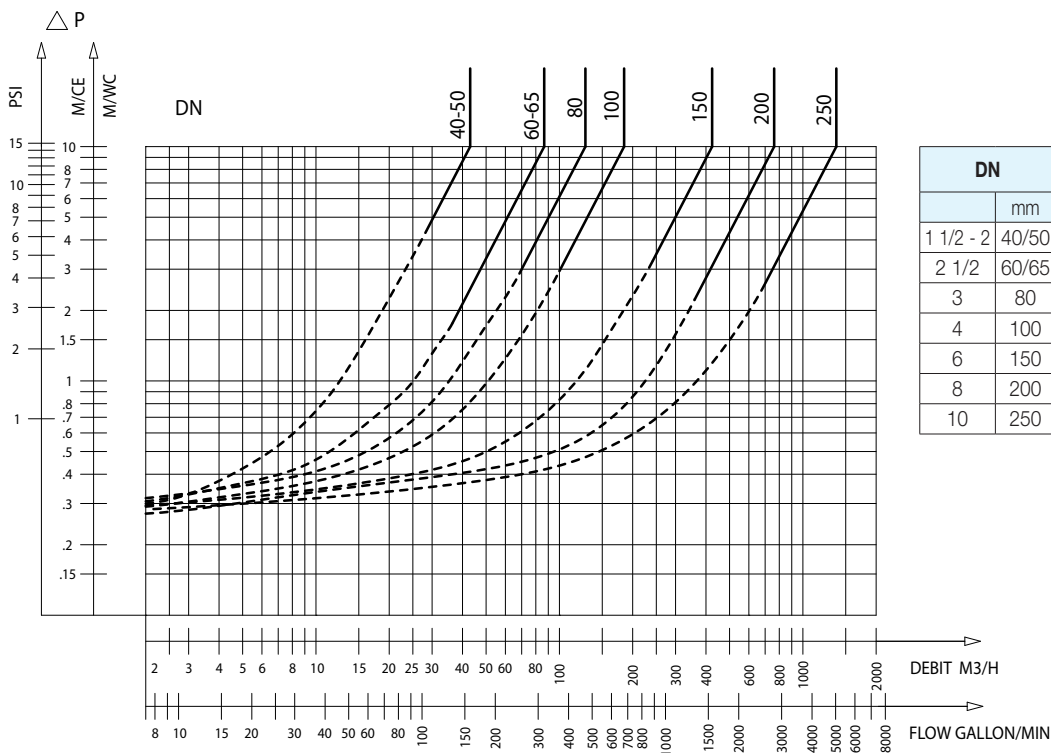
## Application

Housing, water distribution, protection of drinking water networks.

## Operation

### Direction for use :

- Solid line: Valve completely open
- Dotted line: opening stage of valve

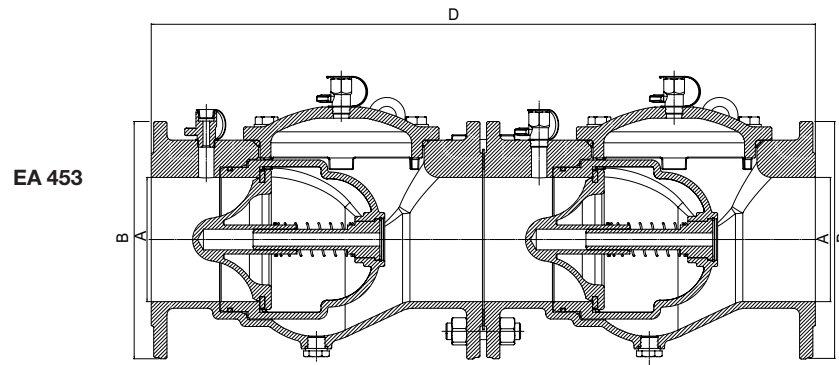
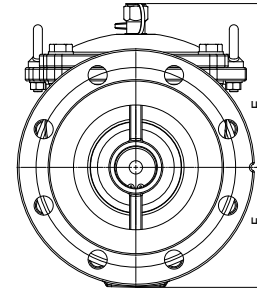


DN	mm	Opening pressure in mm/CE	Kv	ζ
			m <sup>3</sup> /H	
1 1/2 - 2	40/50	20 to 80	43	5,4
2 1/2	60/65		86,6	2,75
3	80		86,6	3,8
4	100		127,9	4
6	150		423,9	4,5
8	200		762,1	4,4
10	250		1375	3,3

EC 453/ 453 - Headloss chart

## Sizing

DN	A	B	C	D	E	F
	"	mm	mm	mm	mm	mm
1 1/2 - 2	40/50	165	-	402	113	80
2 1/2	60/65	185	-	482	118	93
3	80	200	-	522	131	98
4	100	222	-	602	141	115
6	150	285	-	802	197	144
8	200	340	380	1002	220	200
10	250	400	438	1202	256	235



The descriptions and photographs contained in this product specification sheet are supplied by way of information only and are not binding.

Socla reserves the right to carry out any technical and design improvements to its products without prior notice. Warranty : All sales and contracts for sale are expressly conditioned on the buyer's assent to Socla terms and conditions found on its website at [www.socla.com](http://www.socla.com). Socla hereby objects to any term, different from or additional to Socla terms, contained in any buyer communication in any form, unless agreed to in a writing signed by an officer of Socla.



**A WATTS Brand**

**Socla sas**

365 rue du Lieutenant Putier • 71530 Virey-Le-Grand • France

Tel. +33 03 85 97 42 00 • Fax +33 03 85 97 42 42

[contact@wattswater.com](mailto:contact@wattswater.com) • [www.socla.com](http://www.socla.com)

ISO 9001 version 2015 / ISO 18001